

The Facnor mainsail furling system makes your sailing safe and comfortable. No more effort to reef the sail in choppy seas: with simple handling, you will always have the right area of sail adapted to the wind conditions. No more folding or flaking the sail: with simple handling, your mainsail is quickly furled or unfurled. Your boat will always be ready to leave with sails already set up.

SIMPLICITY IN INSTALLATION & ÉCONOMIC

CF mainsail furler features:

- Safe handling of the mainsail
- Installation without modifying or drilling the mast
- This system allows keeping the original goose neck
- Simple to use
- Excellent quality/price ratio compared with other mainsail furler systems

Drive unit

The furling sections turns by operating the drive unit with a continuous line system. The drive unit is fitted with two sets of stainless steel ball bearings and fixed to the mast above the goose neck with slugs



Original Gooseneck

This system allows keeping the original goose neck

Halyard swivel

Furling sections (2 meters long)

They fit inside the housing sections. The sail is furled round them.

Housing sections (=1,7 meters long)

The housing sections are fixed with slugs to the mast without modification.

Bottom sections design

The section design prevents damaging the sail. The edges of the housing section incorporate a round groove so that a spare sail or protection strip can be hoisted.

Mainsail without batten

Boom equipment

Two versions available :
- "standard" and "special" - allows perfect positioning of the clew. (see against p. 49).

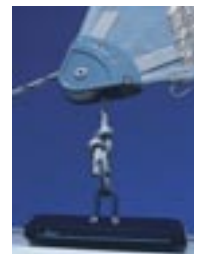


Photo Credit : David Lively

CF MAINSAIL FURLER RANGE

Range of mainsail furling systems suitable for 6 to 17 meter sailing boat. The chart below allows to determine the model that suits your boat (please ask for advice to our dealers, see on the web site).

Parameters	CF Mainsail furler range							
	CF80				CF105			
CF Mainsail furler reference	4CF 80	5CF 80	6CF 80	7CF 80	7CF 105	8CF 105	9CF 105	10CF 105
Maximum luff length (meters-foot)	6,80	8,50	10,20	11,90	11,90	13,60	15,30	17,00
	22'	28'	33'	39'	39'	45'	50'	56'
Maximum boom length (meters-foot)	3,90 m 12'				6 m 20'			
Housing section weight (kg)	1,850 kg				3,030 kg			
Furling section ø (mm - ft)	30 mm - 1"3/4							

Simplicity in the design :

A furling system that turns a headsail inside housing sections. The drive unit of the sections is situated just above the goose neck and is operated with a continuous furling line (Facnor patent).

Simplicity of installation & strong fixing :

The housing sections are fixed with slugs alongside the mast (drilling not necessary). The drive unit is easy to install and does **not require any modification to the gooseneck**. This kit is suitable for most of the masts and is quickly fitted without unstepping the mast. The CF mainsail furling system is produced using high tech means.

SIMPLE INSTALLATION TO THE MAST

Easy fixing of the housing sections :

The housing sections are fitted to the mast by inserting slugs inside the mast groove (see p.46). The housing sections and the slugs are fixed together by stainless steel screws and Nylock nuts. All housing sections are pre-drilled and no modification has to be done on your mast.



Housing and furling sections

These sections are made of extruded aluminium and anodised after machining. They combine resistance and lightness. The furling sections are twin groove. The standard length of the housing section is 1.70 meter in order to lower freight cost.

BOOM KITS : STANDARD AND SPECIAL

- **RC80 & RC 105 standard version (standard delivered) :** track on which a ball bearing car fitted with a shackle. Track installation : with slugs, like the housing sections (see pict 1).

- **KB80 & KB105 special version (optional) :** This KB version allows not to use the boom sheaves, often inadequate due to their small diameter and their lack of ball bearings or needles. The KB boom kit includes a ball bearing car fitted with a pivoting sheave, 2 needle bearing sheaves (1 front and 1 back) and a special end stop. (see pict 2).



Photo Credit : Philippe Mayoussiier



(pict 1)



(pict 2)



Photo Credit : Meltemi

CF DIMENSIONS

Track ref.	CF Model	
	CF 80	CF 105
Marks	Dimensions (en mm)	
A	*	*
B	140	140
C	65	85
D	190	210
E	50	70
∅ G	7	7
H	10	10
I	65	75
J	75	85
K	20	20
L	75	85

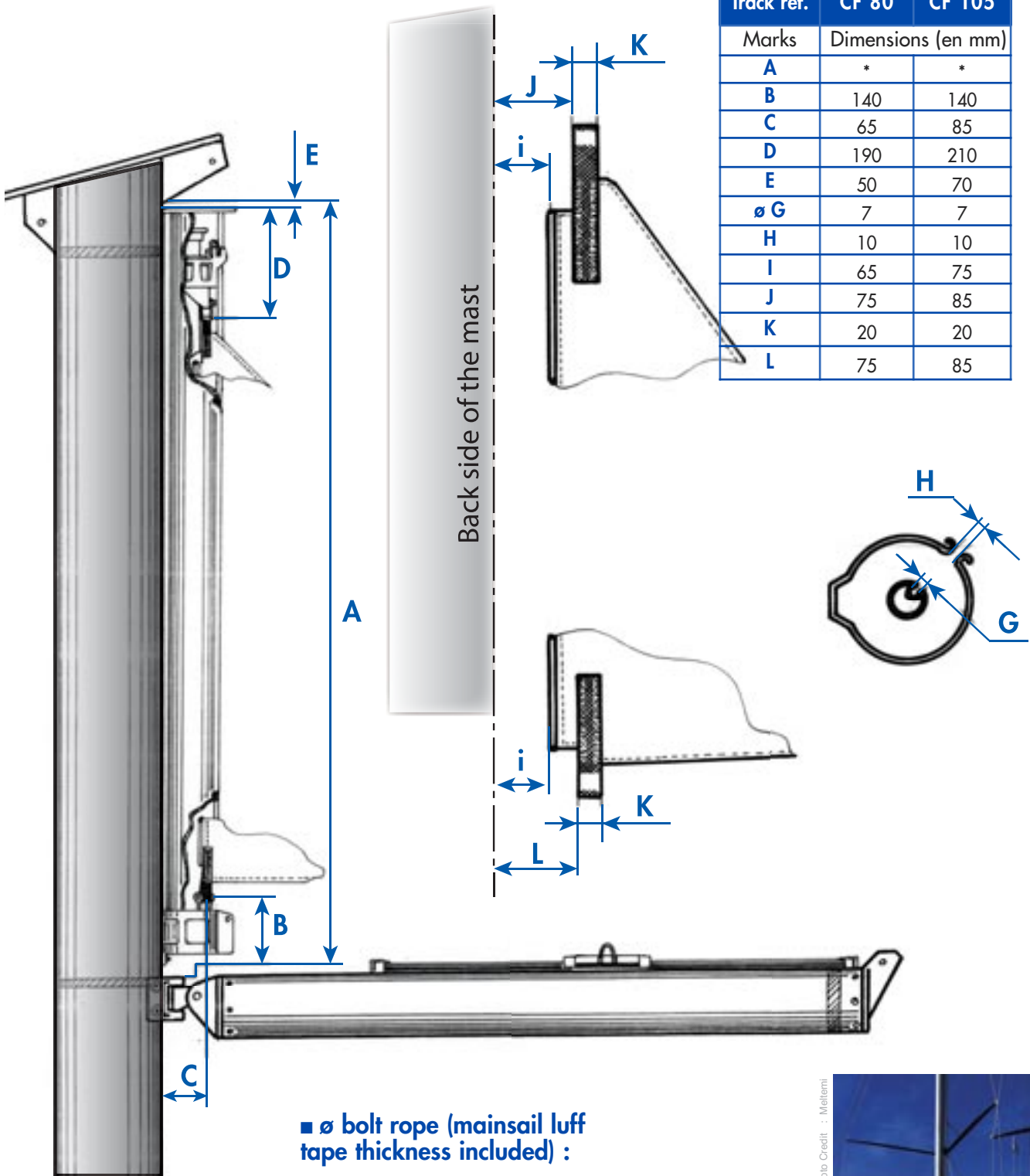


Photo Credit : Meilami



CAUTION :

The specified technical datas are likely to be amended. Therefore, Facnor reserves the right to modify those datas at any moment following product development. Thus, for datas updating it is important to consult Facnor agents or extranet - authorised access to our distribution network, boat builders and naval architects only. Dimensions and use recommendations accessible directly on www.facnor.com