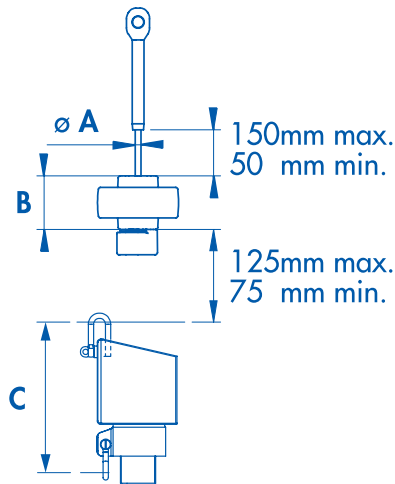




**EF DIMENSIONS**



photo credit : HINCKLEY 42 DS © Phil Bennett



Electric furling system model	EF 470 SX 47	EF 600 SX 53
section ref.	SX 47 / CX47	SX 53 / C600
max. forestay $\varnothing$ (* turnbuckle)	12 mm* 14 mm*	22 mm*
<b>B</b>	53	52
<b>C</b>	248	230
<b>D*</b>	103	124
<b>E</b>	215	440
<b>F</b>	75	75
<b>G</b>	720	720
<b>M4</b>	272	272
$\varnothing$ <b>I</b>	19	19
<b>J</b>	60	60
$\varnothing$ <b>K</b>	72	85
$\varnothing$ <b>L</b>	72	86
<b>M1</b>	174	174
<b>M2</b>	150	150
<b>M3</b>	315	315
<b>N</b>	93	93
<b>Q</b>	435	671
<b>R</b>	265	265
<b>S</b>	53	53
<b>T</b>	78	78

\* End of the telescopic section

